



Jongen Werkzeugtechnik

FACE MILLING

HFC-CUTTING

**SPECIAL OFFER
MILLING TOOL SETS**

STEP MILLING

Products from



Willich



North-Rhine
Westphalia



Germany



Europe

for



Europe

and the



The special offer is valid till 31.08.2022, or while stocks last.

Only complete sets for sale, as indicated in this brochure and at market usual order quantities. E&OE.

Jongen Werkzeugtechnik GmbH

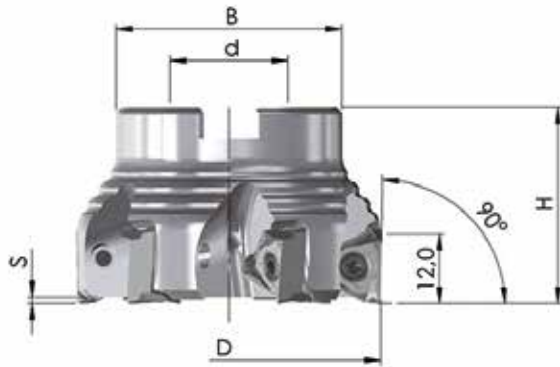
Siemensring 11 · 47877 Willich · Germany

Phone: +49 2154 / 9285-2900 · Fax: +49 2154 / 9285-92900

www.jongen.de · Email: export@jongen.de



STEP MILLING CUTTER TYPE B31



SET 2022-15

| Article code | D | H | d | B | S | Z | List price |
|--|----|----|----|----|-----|---|------------|
| 90PP-050-723-5 | 50 | 40 | 22 | 46 | 1,3 | 5 | 358,- € |
| 10 pieces (1 packaging unit) JMB31-723.. freely selectable quality | | | | | | | 197,- € |

List price: 555,- € - Special price for this set: **339,- €**

SET 2022-16

| Article code | D | H | d | B | S | Z | List price |
|--|----|----|----|----|-----|---|------------|
| 90PP-063-723-5 | 63 | 40 | 22 | 46 | 1,3 | 5 | 369,- € |
| 10 pieces (1 packaging unit) JMB31-723.. freely selectable quality | | | | | | | 197,- € |

List price: 566,- € - Special price for this set: **349,- €**

STEP MILLING CUTTER TYPE B32



SET 2022-17

| Article code | D | H | d | B | S | Z | List price |
|--|----|----|----|----|-----|---|------------|
| 90PP-040-B32-4 | 40 | 40 | 16 | 38 | 1,0 | 4 | 349,- € |
| 10 pieces (1 packaging unit) JMB32-713.. freely selectable quality | | | | | | | 162,- € |

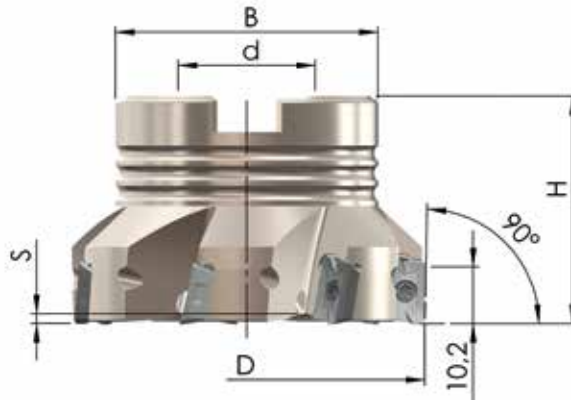
List price: 511,- € - Special price for this set: **269,- €**

SET 2022-18

| Article code | D | H | d | B | S | Z | List price |
|--|----|----|----|----|-----|---|------------|
| 45PP-050-B32-5 | 50 | 40 | 22 | 46 | 1,0 | 5 | 353,- € |
| 10 pieces (1 packaging unit) JMB32-713.. freely selectable quality | | | | | | | 162,- € |

List price: 515,- € - Special price for this set: **299,- €**

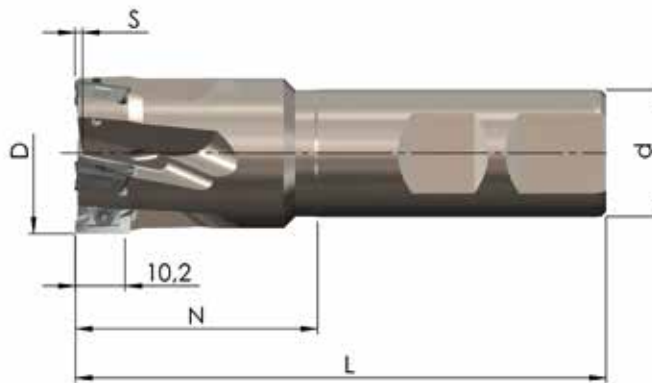
STEP MILLING CUTTER TYPE B17



SET 2022-19

| Article code | D | H | d | B | S | Z | List price |
|---|----|----|----|----|-----|---|------------|
| 90PP-050-75-5 | 50 | 40 | 22 | 46 | 2,0 | 5 | 282,- € |
| 20 pieces (1 packaging unit) JMB17-75..or JMB17-275.. freely selectable quality | | | | | | | 208,- € |

List price: 490,-€ - Special price for this set: **259,- €**



SET 2022-20

| Article code | D | L | d | N | S | Z | List price |
|---|----|------|----|----|-----|---|------------|
| 90PP-20-30-75-3 | 20 | 81,8 | 20 | 30 | 2,0 | 3 | 202,- € |
| 20 pieces (1 packaging unit) JMB17-75..or JMB17-275.. freely selectable quality | | | | | | | 208,- € |

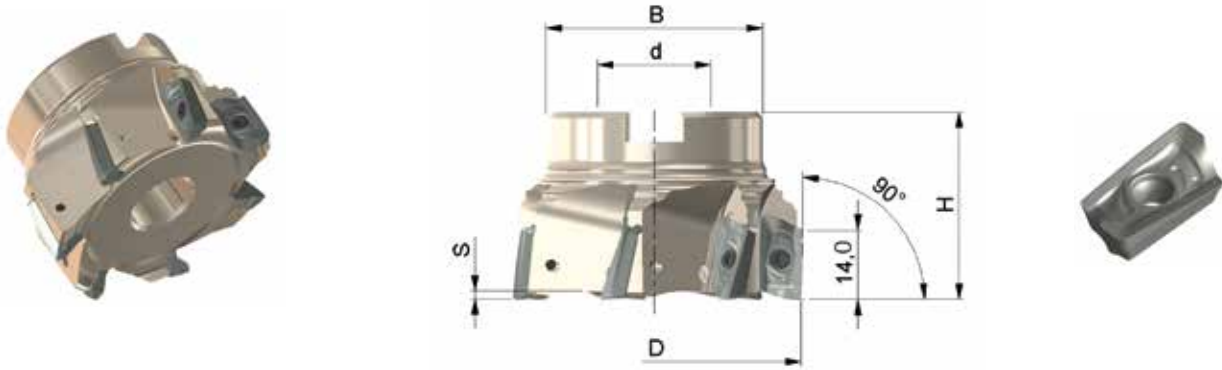
List price: 410,- € - Special price for this set: **239,- €**

SET 2022-21

| Article code | D | L | d | N | S | Z | List price |
|---|----|------|----|----|-----|---|------------|
| 90PP-25-38-75-3 | 25 | 95,2 | 25 | 38 | 2,0 | 3 | 209,- € |
| 20 pieces (1 packaging unit) JMB17-75..or JMB17-275.. freely selectable quality | | | | | | | 208,- € |

List price: 417,- € - Special price for this set: **241,- €**

STEP MILLING CUTTER TYPE B25



SET 2022-22

| Article code | D | H | d | B | S | Z | List price |
|---|----|----|----|----|-----|---|------------|
| 90PP-050-70-5 | 50 | 40 | 22 | 46 | 2,0 | 5 | 277,- € |
| 10 pieces (1 packaging unit) JMB25-70S.. or JMB25-70H.. freely selectable quality | | | | | | | 91,- € |

List price: 368,-€ - Special price for this set: **192,- €**

SET 2022-23

| Article code | D | H | d | B | S | Z | List price |
|---|----|----|----|----|-----|---|------------|
| 90PP-063-70-5 | 63 | 40 | 22 | 46 | 2,0 | 5 | 295,- € |
| 10 pieces (1 packaging unit) JMB25-70S.. or JMB25-70H.. freely selectable quality | | | | | | | 91,- € |

List price: 386,- € - Special price for this set: **203,- €**

HIGH FEED MILLING CUTTER TYPE A18



SET 2021-24

| Article code | D | D1 | H | d | B | S | Z | List price |
|---|----|------|----|----|----|------|---------|------------|
| 00PP-050-12-5 | 50 | 34,6 | 40 | 22 | 46 | 2,25 | 5 | 254,- € |
| 20 pieces (1 packaging unit) JMA18-.. freely selectable quality | | | | | | | 269,- € | |

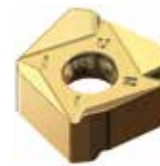
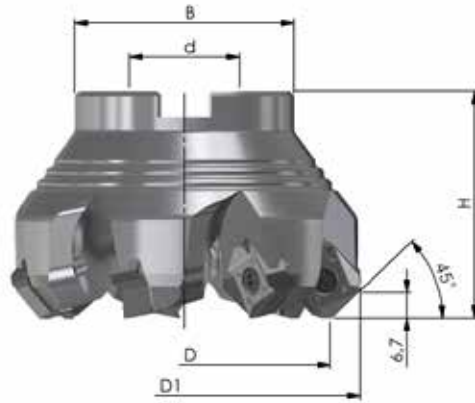
List price: 523,-€ - Special price for this set: **325,- €**

SET 2021-25

| Article code | D | D1 | H | d | B | S | Z | List price |
|---|----|------|----|----|----|------|---------|------------|
| 00PP-063-12-5 | 63 | 47,6 | 50 | 27 | 58 | 2,25 | 5 | 264,- € |
| 20 pieces (1 packaging unit) JMA18-.. freely selectable quality | | | | | | | 269,- € | |

List price: 533,-€ - Special price for this set: **329,- €**

FACE MILLING CUTTER TYPE A22



SET 2022-26

| Article code | D | D1 | H | d | B | Z | List price |
|--|----|----|----|----|----|---|------------|
| 45PP-050-A22-5 | 50 | 65 | 50 | 22 | 46 | 5 | 431,- € |
| 10 pieces (1 packaging unit) JMA22-584.. freely selectable quality | | | | | | | 136,- € |

List price: 567,-€ - Special price for this set: 266,- €

SET 2022-27

| Article code | D | D1 | H | d | B | Z | List price |
|--|----|----|----|----|----|---|------------|
| 45PP-063-A22-5 | 63 | 78 | 50 | 22 | 46 | 5 | 475,- € |
| 10 pieces (1 packaging unit) JMA22-584.. freely selectable quality | | | | | | | 136,- € |

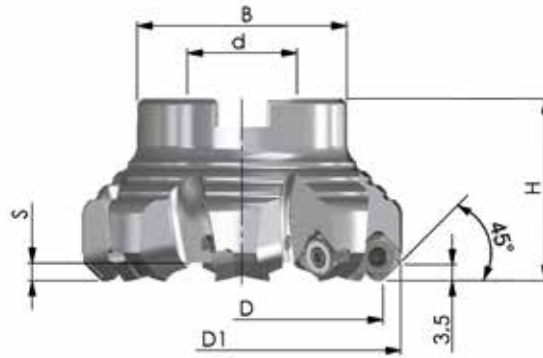
List price: 611,- € - Special price for this set: 276,- €

SET 2022-28

| Article code | D | D1 | H | d | B | Z | List price |
|--|----|----|----|----|----|---|------------|
| 45PP-080-A22-6 | 80 | 95 | 60 | 27 | 58 | 6 | 570,- € |
| 10 pieces (1 packaging unit) JMA22-584.. freely selectable quality | | | | | | | 136,- € |

List price: 706,- € - Special price for this set: 314,- €

FACE MILLING CUTTER TYPE A20



SET 2022-29

| Article code | D | D1 | H | d | B | S | Z | List price |
|--|----|----|----|----|----|-----|---|------------|
| 45PP-050-A20-5 | 50 | 58 | 40 | 22 | 46 | 4,0 | 5 | 274,- € |
| 20 pieces (1 packaging unit) JMA20-534.. freely selectable quality | | | | | | | | 162,- € |

List price: 436,-€ - Special price for this set: **255,- €**

SET 2022-30

| Article code | D | D1 | H | d | B | S | Z | List price |
|--|----|----|----|----|----|-----|---|------------|
| 45PP-063-A20-6 | 63 | 71 | 40 | 22 | 46 | 4,0 | 6 | 307,- € |
| 20 pieces (1 packaging unit) JMA20-534.. freely selectable quality | | | | | | | | 162,- € |

List price: 469,- € - Special price for this set: **269,- €**

