



Jongen Werkzeugtechnik



SPECIAL OFFER MILLING TOOL SETS

Products from



Willich



North-Rhine
Westphalia



Germany



Europe

for



Europe

and the



The special offer is valid till 31.08.2021, or while stocks last.

Only complete sets for sale, as indicated in this brochure and at market usual order quantities.

03/21

Jongen Werkzeugtechnik GmbH

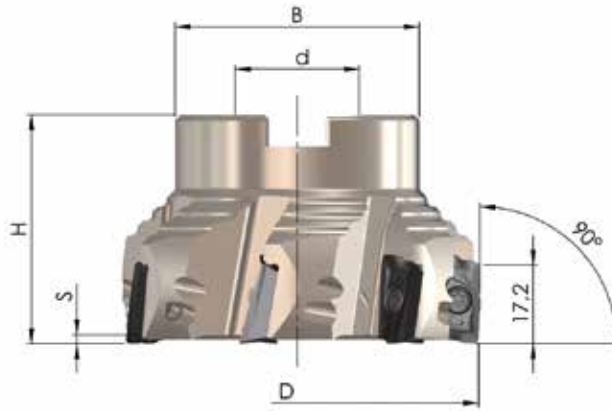
Siemensring 11 · 47877 Willich · Germany

Phone: +49 2154 / 9285-2900 · Fax: +49 2154 / 9285-92900

www.jongen.de · Email: export@jongen.de



STEP MILLING CUTTERS TYPE B18



SET 2021-6

Article Code	D	H	dH6	B	S	Z	
90PP-063-49-5	63	40	22	46	1,8	5	319,00 €
10 pieces (1 packaging unit) JMB18-49.. or JMB18-49T.. freely selectable quality							110,50 €

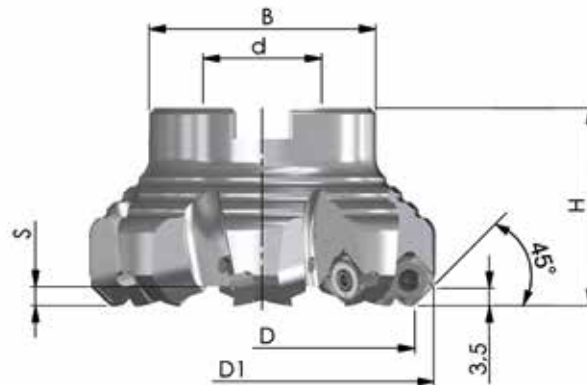
List price: 429,50 € - Special price for this set: **186,00 €**

SET 2021-7

Article Code	D	H	dH6	B	S	Z	
90PP-080-49-7	80	50	27	58	1,8	7	417,00 €
10 pieces (1 packaging unit) JMB18-49.. or JMB18-49T.. freely selectable quality							110,50 €

List price: 527,50 € - Special price for this set: **243,00 €**

FACE MILLING CUTTERS TYPE A20



SET 2021-8

Article Code	D	D ₁	H	dH6	B	S	Z	
45PP-050-A20-5	50	58	40	22	46	4,0	5	257,00 €
20 pieces (1 packaging unit) JMA20-534... freely selectable quality							152,00 €	

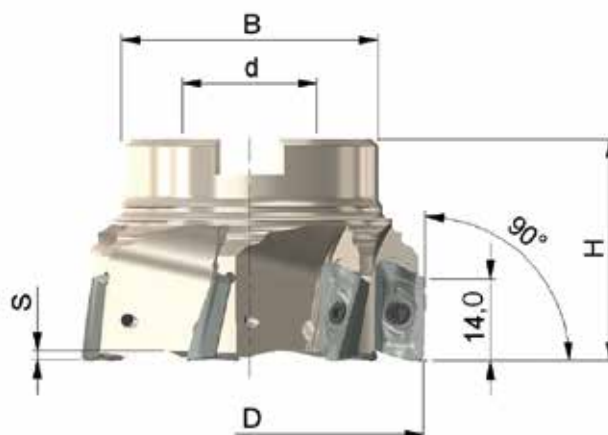
List price: 409,00 € - Special price for this set: **221,00 €**

SET 2021-9

Article Code	D	D ₁	H	dH6	B	S	Z	
45PP-063-A20-6	63	71	40	22	46	4,0	6	288,00 €
20 pieces (1 packaging unit) JMA20-534... freely selectable quality							152,00 €	

List price: 440,00 € - Special price for this set: **235,00 €**

STEP MILLING CUTTERS TYPE B25



SET 2021-10

Article Code	D	H	dH6	B	S	Z	
90PP-050-70-5	50	40	22	46	2,0	5	260,00 €
10 pieces (1 packaging unit) JMB25-70H... or JMB25-70S... freely selectable quality							85,50 €

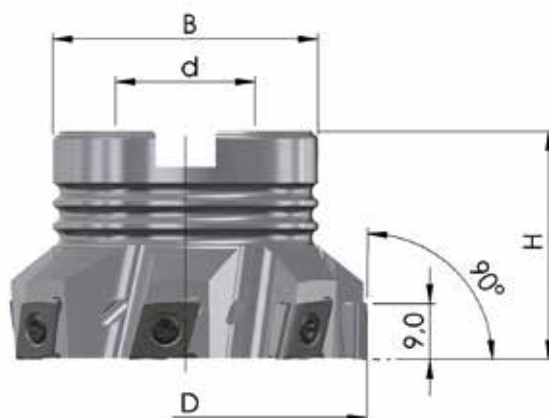
List price: 345,50 € - Special price for this set: **171,00 €**

SET 2021-11

Article Code	D	H	dH6	B	S	Z	
90PP-063-70-5	63	40	22	46	2,0	5	277,00 €
10 pieces (1 packaging unit) JMB25-70H... or JMB25-70S... freely selectable quality							85,50 €

List price: 362,50 € - Special price for this set: **182,00 €**

TANGENTIAL STEP MILLING CUTTERS TYPE B27



SET 2021-12 (WITHOUT inserts)

Article Code	D	H	dH6	B	Z	
90PP-050-T09-5	50	40	22	46	5	216,00 €
90PP-080-T09-9	80	50	27	58	9	318,00 €

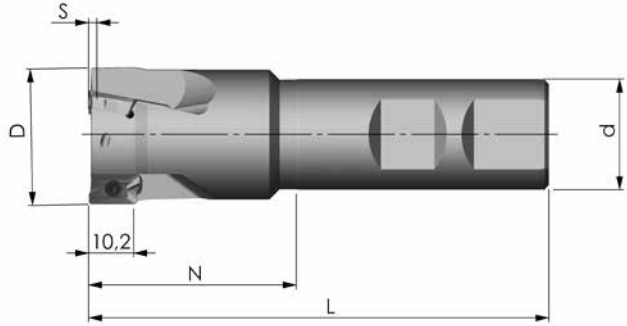
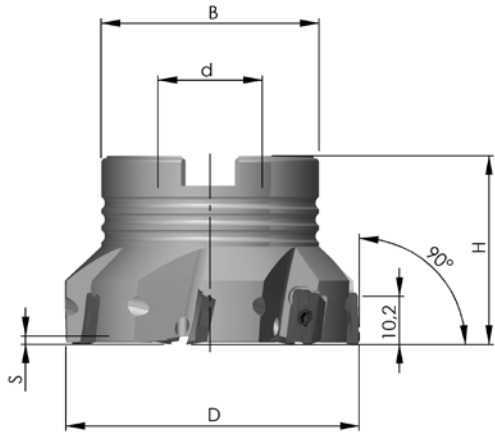
List price: 534,00 € - Special price for this set: **267,00 €**

SET 2021-13 (WITHOUT inserts)

Article Code	D	H	dH6	B	Z	
90PP-063-T09-7	63	40	22	46	7	258,00 €
90PP-100-T09-11	100	50	32	78	11	403,00 €

List price: 661,00 € - Special price for this set: **331,00 €**

STEP MILLING CUTTERS TYPE B17



SET 2021-14 (WITHOUT inserts)

Article Code	D	H	dH6	B	S	Z	
90PP-040-75-22-5	40	40	22	38	2,0	4	263,00 €
90PP-050-75-5	50	40	22	46	2,0	5	265,00 €
90PP-063-75-5	63	40	22	46	2,0	5	282,00 €

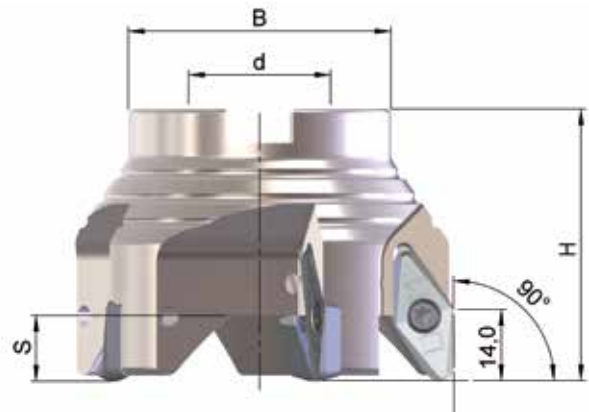
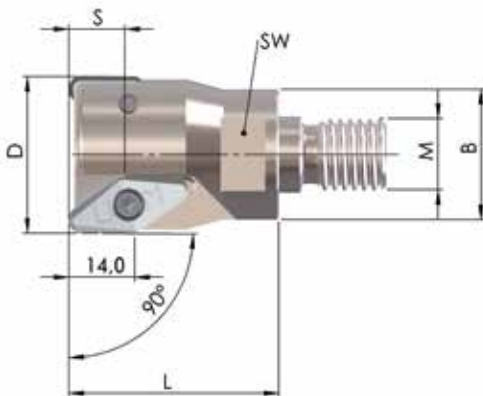
List price: 810,00 € - Special price for this set: **405,00 €**

SET 2021-15 (WITHOUT inserts)

Article Code	D	L	d _{h6}	N	S	Z	
90PP-20-30-75-3	20	81,8	20	30	2,0	3	189,00 €
90PP-25-38-75-3	25	95,2	25	38	2,0	4	196,00 €
90PP-32-48-75-3	32	104,3	25	48	2,0	5	209,00 €

List price: 594,00 € - Special price for this set: **297,00 €**

MILLING CUTTERS FOR ALUMINIUM MACHINING TYPE B19



SET 2021-16 (WITHOUT inserts)

Article Code	D	L	M	B	SW	S	Z	
90ESF-32-M16-429-2	32	47	M16	29	SW24	10	2	233,00 €
90ESF-42-M16-429-3	42	47	M16	29	SW24	10	3	299,00 €

List price: 532,00 € - Special price for this set: **266,00 €**

SET 2021-17 (WITHOUT inserts)

Article Code	D	H	dH6	B	S	Z	
90PP-052-429-3	52	55	22	46	10	3	267,00 €
90PP-066-429-4	66	56	27	54	10	4	322,00 €

List price: 589,00 € - Special price for this set: **294,00 €**