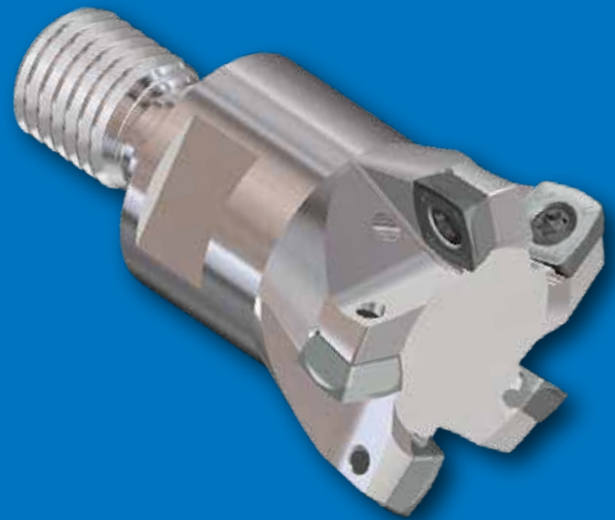




Jongen Werkzeugtechnik

Special offer Milling tools



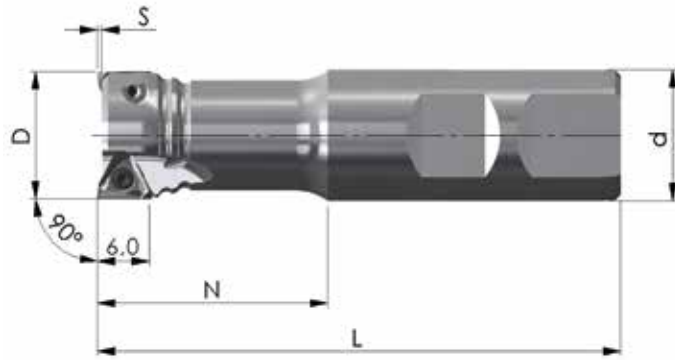
Save at least 50%*
on all tool-sets!



*compared with the list price



STEP MILLING CUTTERS TYPE B32



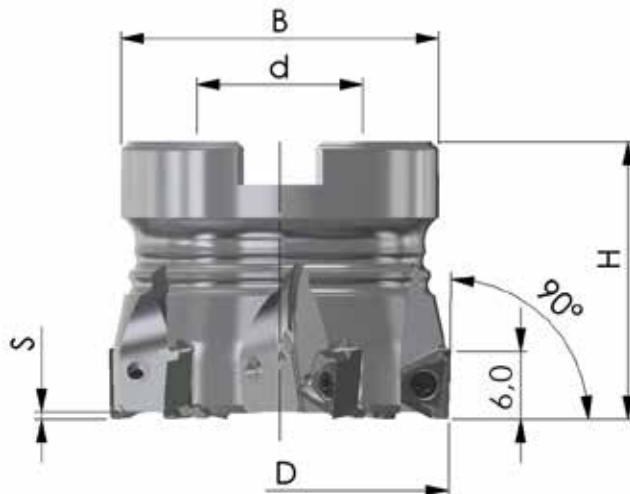
SET 2020-25

Article code	D	L	d _{H6}	N	S	Z	
90PP-25-25-B32-3	25	100	25	43	1,0	3	252,- €
90PP-32-25-B32-3	32	100	25	43	1,0	3	259,- €

List price in total

511,- €

Special price for this set: 249,- €



SET 2020-26

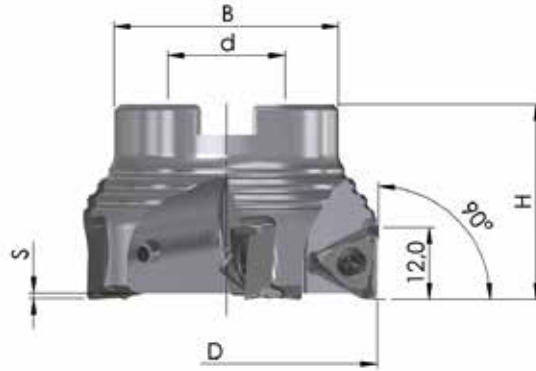
Article code	D	H	d _{H6}	B	S	Z	
90PP-040-B32-4	40	40	16	38	1,0	4	328,- €
90PP-050-B32-5	50	40	22	46	1,0	5	331,- €
90PP-063-B32-5	63	40	22	46	1,0	5	335,- €

List price in total

994,- €

Special price for this set: 489,- €

STEP MILLING CUTTERS TYPE B31

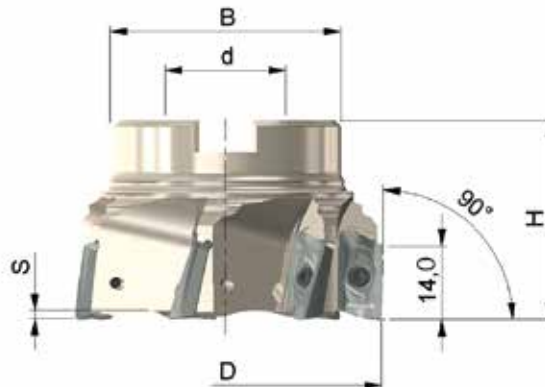


SET 2020-27

Article code	D	H	dH6	B	S	Z	
90PP-050-723-5	50	40	22	46	1,3	5	336,- €
90PP-063-723-5	63	40	22	46	1,3	5	347,- €
90PP-080-723-7	80	50	27	58	1,3	7	456,- €
List price in total							1.139,- €

Special price for this set: 569,- €

STEP MILLING CUTTERS TYPE B25

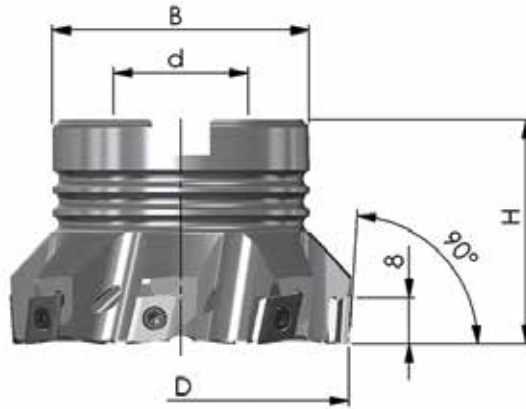


SET 2020-28

Article code	D	H	dH6	B	S	Z	
90PP-040-70-16-5	40	40	16	29	2,0	5	260,- €
90PP-050-70-5	50	40	22	46	2,0	5	260,- €
90PP-063-70-5	63	40	22	46	2,0	5	277,- €
List price in total							797,- €

Special price for this set: 398,- €

TANGENTIAL TOOLS TYPE B29

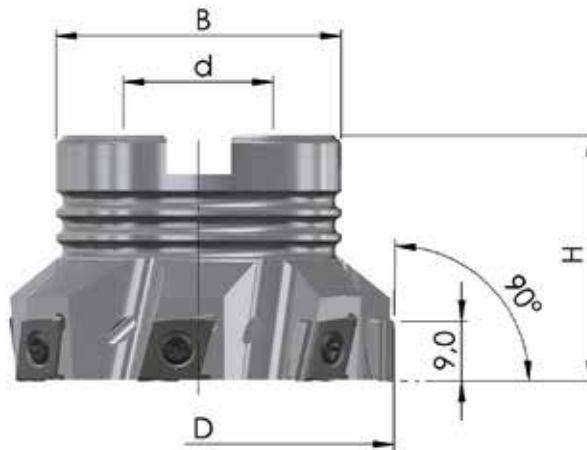


SET 2020-29

Article code	D	H	d _{h6}	B	Z	
90PP-040-B29-5	40	40	16	38	5	233,- €
90PP-050-B29-6	50	40	22	46	6	249,- €
90PP-063-B29-8	63	40	22	46	8	299,- €
List price in total						781,- €

Special price for this set: 389,- €

TANGENTIAL TOOLS TYPE B27

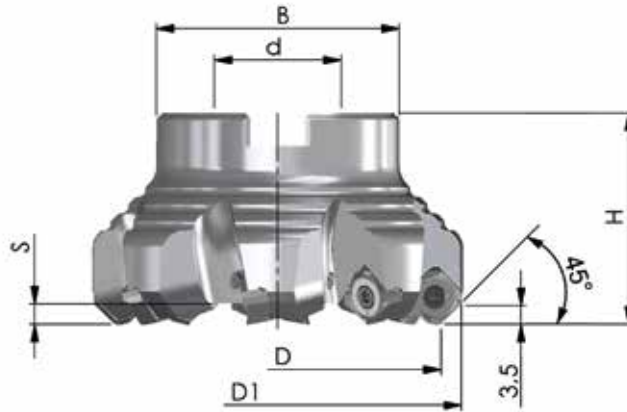


SET 2020-30

Article code	D	H	d _{h6}	B	Z	
90PP-063-T09-7	63	40	22	46	7	258,- €
90PP-080-T09-9	80	50	27	58	9	318,- €
List price in total						576,- €

Special price for this set: 283,- €

FACE MILLING CUTTERS TYPE A20



SET 2020-31

Article code	D	D1	H	d	B	S	Z	
45PP-040-A20-5	40	48	40	16	38	4,0	5	257,- €
45PP-063-A20-6	63	71	40	22	46	4,0	6	288,- €
List price in total								545,- €

Special price for this set: 269,- €

SET 2020-32

Article code	D	D1	H	d	B	S	Z	
45PP-050-A20-5	50	58	40	22	46	4,0	5	257,- €
45PP-080-A20-7	80	88	50	27	58	4,0	7	317,- €
List price in total								574,- €

Special price for this set: 283,- €

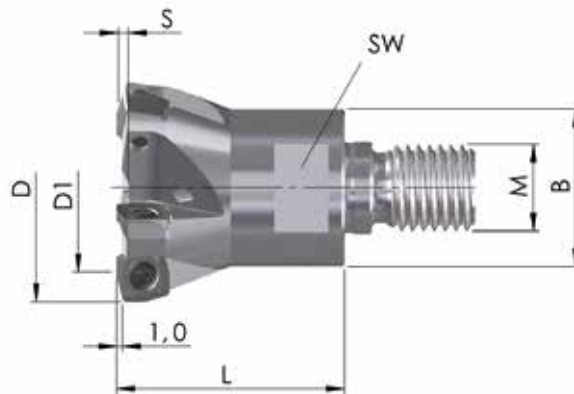
HIGH FEED MILLING CUTTERS TYPE A17



SET 2020-33

Article code	D	D1	N	d _{h6}	L	S	Z	
00PP-20-09-2-80	20	10	80	20	130	2,25	2	174,- €
00PP-25-09-3-80	25	15	80	25	136	2,25	3	206,- €
00PP-32-09-3-80	32	22	80	25	136	2,25	3	210,- €
List price in total								590,- €

Special price for this set: 293,- €



SET 2020-34

Article code	D	D1	L	M	B	SW	S	Z	
ESF-20-M10-09-2	20	10	32	M10	18	16	2,25	2	113,- €
ESF-32-M16-09-4	32	22	42	M16	29	24	2,25	4	169,- €
List price in total								282,- €	

Special price for this set: 139,- €

SET 2020-35

Article code	D	D1	L	M	B	SW	S	Z	
ESF-25-M12-09-3	25	15	32	M12	21	18	2,25	3	144,- €
ESF-35-M16-09-4	35	25	42	M16	29	24	2,25	4	173,- €
List price in total								317,- €	

Special price for this set: 158,- €

HIGH FEED MILLING CUTTERS TYPE A18



SET 2020-36

Article code	D	D1	H	dH6	B	S	Z	
00PP-050-12-5	50	34,6	40	22	46	2,25	5	239,- €
00PP-063-12-5	63	47,6	50	27	58	2,25	5	248,- €

List price in total

487,- €

Special price for this set: 243,- €

SET 2020-37

Article code	D	D1	H	d	B	S	Z	
00PP-052-12-5	52	36,6	40	22	46	2,25	5	243,- €
00PP-066-12-6	66	50,6	50	27	58	2,25	6	274,- €

List price in total

517,- €

Special price for this set: 257,- €

NOTES

The special offer is valid till 28.02.2021, or while stocks last.

Inserts are not included in the scope of delivery.

Only complete sets for sale, as indicated in this brochure and at market usual order quantities.

09/20

Jongen Werkzeugtechnik GmbH

Siemensring 11 · 47877 Willich · Germany

Phone: +49 2154 / 9285-2900 · Fax: +49 2154 / 9285-92900

www.jongen.de · Email: export@jongen.de