



**Jongen Werkzeugtechnik**

**Special Offer Autumn 2018**

**FACE MILLS**



The special offer is valid till 31.01.2019, or while stocks last.  
Only complete sets for sale, as indicated in this brochure and at market usual order quantities.  
Errors and omissions are reserved

**Jongen Werkzeugtechnik GmbH**

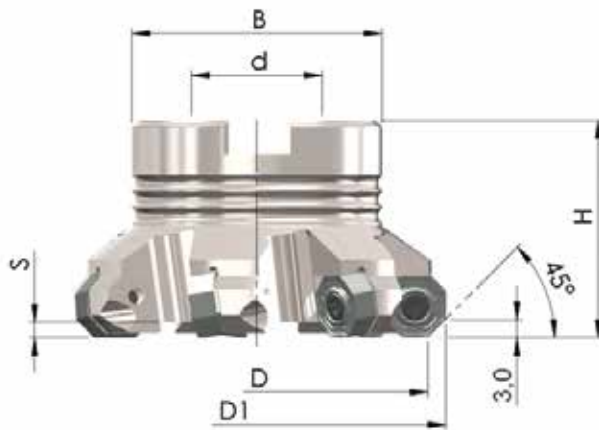
Siemensring 11 · 47877 Willich · Germany

Phone: +49 2154 / 9285-2900 · Fax: +49 2154 / 9285-92900

[www.jongen.de](http://www.jongen.de) · Email: [export@jongen.de](mailto:export@jongen.de)



## Face Mills Type A16 (FP 538)



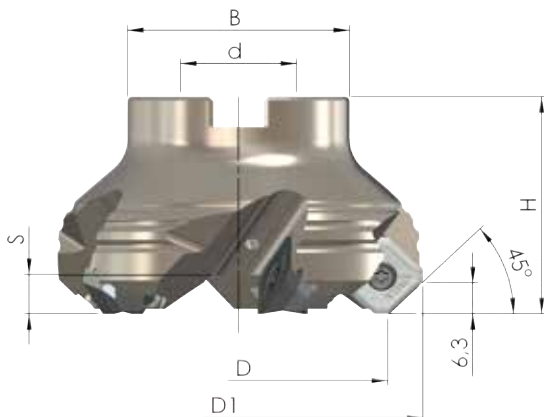
Set 2018-27	D	D <sub>1</sub>	H	d	B	S	Z	List prices
45PP-050-538-5	50	57,4	40	22	46	2,9	5	248,00 €
20 pieces (1 packaging unit) JMA16-538 - freely selectable quality								189,00 €
List price of the set								437,00 €

Special price for above indicated set: 240,00 €

Set 2018-28	D	D <sub>1</sub>	H	d	B	S	Z	List prices
45PP-063-538-5	63	70,4	40	22	46	2,9	5	266,00 €
20 pieces (1 packaging unit) JMA16-538 - freely selectable quality								189,00 €
List price of the set								455,00 €

Special price for above indicated set: 247,00 €

## Face Mills Type A13 (FP 140)



Set 2018-29	D	D <sub>1</sub>	H	d	B	S	Z	List prices
45PP-063-140-5	63	76,6	45	22	46	6,3	5	408,00 €
10 pieces (1 packaging unit) JMA13-140/142/145/240/242/245 - freely selectable quality								96,00 €
List price of the set								504,00 €

Special price for above indicated set: 212,00 €

Set 2018-30	D	D <sub>1</sub>	H	d	B	S	Z	List prices
45PP-080-140-6	80	93,6	50	27	58	6,3	6	495,00 €
10 pieces (1 packaging unit) JMA13-140/142/145/240/242/245 - freely selectable quality								96,00 €
List price of the set								591,00 €

Special price for above indicated set: 241,00 €