



Jongen Werkzeugtechnik

**Special Offer Autumn 2018**

**HFC MILLING CUTTERS B24**

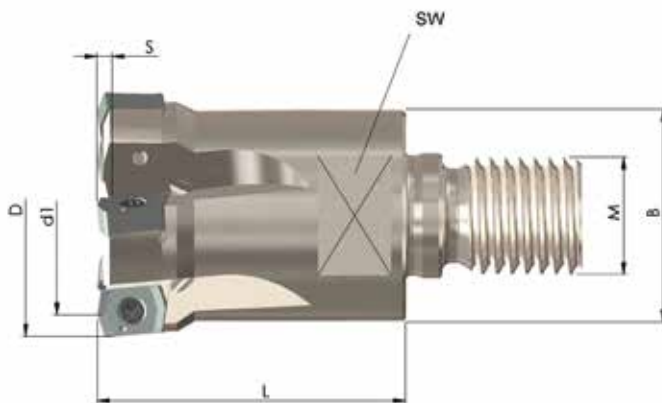


## High Feed Rates Milling Cutter Type B24



Set 2018-39	D	d <sub>1</sub>	N	L	d	S	Z	List prices
00PP-16-542-2-60	16	10,2	60	110	16	2,2	2	156,00 €
00PP-20-542-3-80	20	14,2	80	130	20	2,2	3	172,00 €
<b>List price of the set</b>								<b>328,00 €</b>

**Special price for above indicated set: 159,00 €**



Set 2018-40	D	d <sub>1</sub>	L	M	B	SW	S	Z	List prices
ESF-16-M8-542-2	16	10,2	23	M8	13,8	12	2,2	2	113,00 €
ESF-20-M10-542-3	20	14,2	28	M10	18,0	16	2,2	3	123,00 €
ESF-25-M12-542-4	25	19,2	32	M12	21,0	18	2,2	4	138,00 €
<b>20 pieces (1 packaging unit) JMB24-542 oder -642 - freely selectable quality</b>								<b>158,00 €</b>	
<b>List price of the set</b>								<b>532,00 €</b>	

**Special price for above indicated set: 294,00 €**

The special offer is valid till 31.01.2019, or while stocks last.

Only complete sets for sale, as indicated in this brochure and at market usual order quantities.

Errors and omissions are reserved