



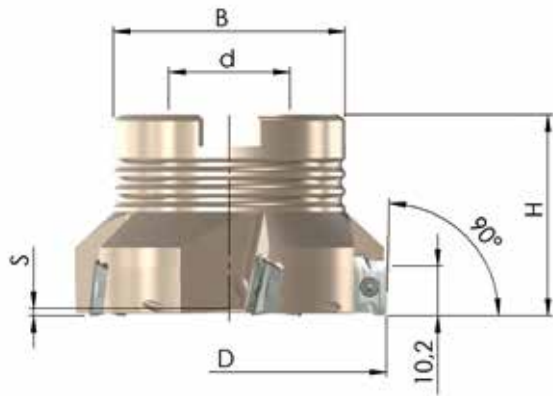
Jongen Werkzeugtechnik

Special Offer Autumn 2018

STEP MILLING CUTTERS



## Step Milling Cutter Type B17 (FP 75)



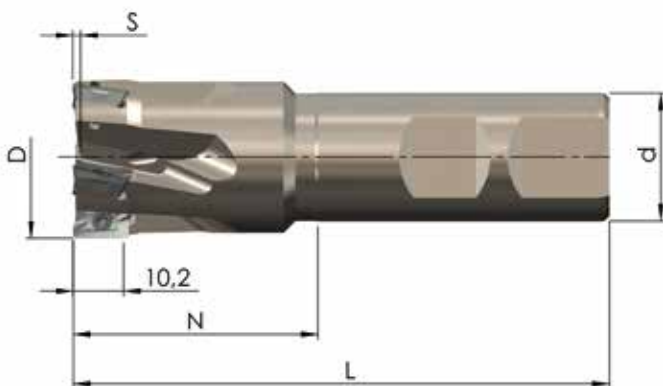
Set 2018-41	D	H	d	B	S	Z	List prices
90PP-050-75-5	50	40	22	46	2,0	5	249,00 €
20 pieces (1 packaging unit) JMB17-75R.. / -275R.. / 75MR.. freely selectable quality							185,00 €
<b>List price of the set</b>							<b>434,00 €</b>

**Special price for above indicated set: 235,00 €**

Set 2018-42	D	H	d	B	S	Z	List prices
90PP-063-75-5	63	40	22	46	2,0	5	265,00 €
20 pieces (1 packaging unit) JMB17-75R.. / -275R.. / 75MR.. freely selectable quality							185,00 €
<b>List price of the set</b>							<b>450,00 €</b>

**Special price for above indicated set: 243,00 €**

## Step Milling Cutter Type B17 (FP 75)



Set 2018-43	D	L	d	N	S	Z	List prices
90PP-20-30-75-3	20	81,8	20	30	2,0	3	177,00 €
90PP-25-38-75-3	25	95,2	25	38	2,0	3	184,00 €
90PP-32-48-75-3	32	104,3	25	48	2,0	3	196,00 €
<b>List price of the set</b>							<b>557,00 €</b>

**Special price for above indicated set: 241,00 €**

## Step Milling Cutter Type B21 (FP 63)



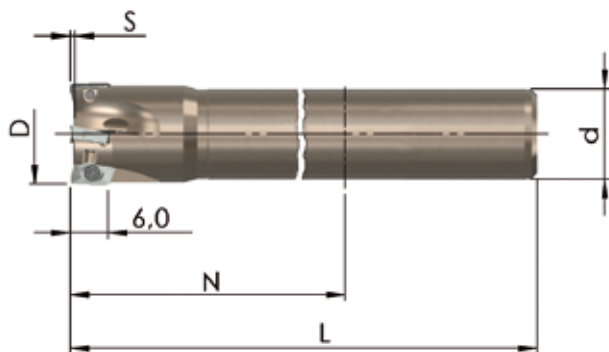
Set 2018-44	D	L	d	N	S	Z	List prices
90PP-10-15-63-2	10	55	10	15	0,9	2	139,00 €
90PP-14-24-63-3	14	70	12	24	0,9	3	154,00 €
<b>List price of the set</b>							<b>293,00 €</b>

**Special price for above indicated set: 131,00 €**

Set 2018-45	D	L	d	N	S	Z	List prices
90PP-12-18-63-2	12	58	10	18	0,9	2	141,00 €
90PP-16-22-63-3	16	70	16	22	0,9	3	158,00 €
90PP-20-30-63-4	20	80	20	30	1,9	4	196,00 €
<b>List price of the set</b>							<b>495,00 €</b>

**Special price for above indicated set: 213,00 €**

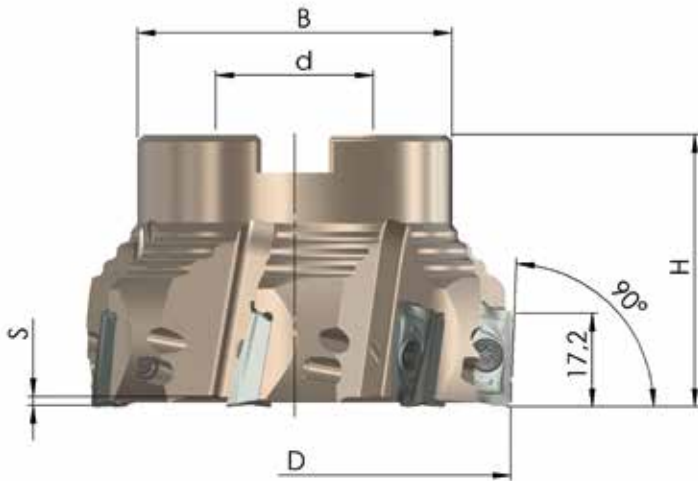
## Step Milling Cutter Type B21 (FP 63)



Set 2018-46	D	L	d	N	S	Z	List prices
90PP-12-63-2-120	12	120	10	63	0,9	2	154,00 €
90PP-14-63-3-140	14	140	12	83	0,9	3	164,00 €
90PP-16-63-3-160	16	160	14	103	0,9	3	168,00 €
<b>List price of the set</b>							<b>486,00 €</b>

**Special price for above indicated set: 202,00 €**

## Step Milling Cutter Type B18 (FP 49)



Set 2018-47	D	H	d	B	S	Z	List prices
90PP-063-49-5	63	40	22	46	1,8	5	299,00 €
90PP-080-49-7	80	50	27	58	1,8	7	392,00 €
<b>List price of the set</b>							<b>691,00 €</b>

**Special price for above indicated set: 248,00 €**

Set 2018-48	D	H	d	B	S	Z	List prices
90PP-063-49-5	63	40	22	46	1,8	5	299,00 €
10 pieces (1 packaging unit) JMB18-49R.. / -49MR.. / -49TR.. freely selectable quality							105,00 €
<b>List price of the set</b>							<b>404,00 €</b>

**Special price for above indicated set: 165,00 €**

The special offer is valid till 31.01.2019, or while stocks last.  
 Only complete sets for sale, as indicated in this brochure and at market usual order quantities.  
 Errors and omissions are reserved