



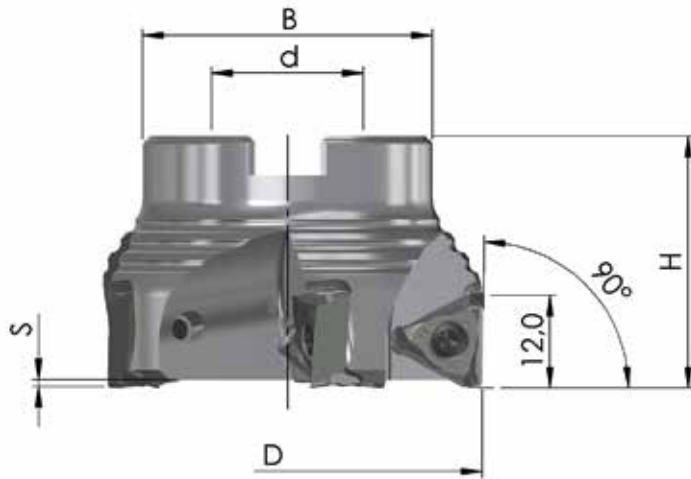
Jongen Werkzeugtechnik

Special Offer Autumn 2018

STEP MILLING CUTTERS B31



Step Milling Cutter Type B31 (FP 723)



Set 2018-49	D	H	d	B	S	Z	List prices
90PP-040-723-3	40	40	16	38	1,3	3	275,00 €
10 pieces (1 packaging unit) JMB31-723... - freely selectable quality							175,50 €
List price of the set							450,50 €

Special price for above indicated set: 249,00 €

Set 2018-50	D	H	d	B	S	Z	List prices
90PP-050-723-5	50	40	22	46	1,3	5	316,00 €
10 pieces (1 packaging unit) JMB31-723... - freely selectable quality							175,50 €
List price of the set							491,50 €

Special price for above indicated set: 269,00 €

Set 2018-51	D	H	d	B	S	Z	List prices
90PP-063-723-5	63	40	22	46	1,3	5	326,00 €
10 pieces (1 packaging unit) JMB31-723... - freely selectable quality							175,50 €
List price of the set							501,50 €

Special price for above indicated set: 269,00 €

Set 2018-52	D	H	d	B	S	Z	List prices
90PP-080-723-7	80	50	27	58	1,3	7	428,00 €
10 pieces (1 packaging unit) JMB31-723... - freely selectable quality							175,50 €
List price of the set							603,50 €

Special price for above indicated set: 319,00 €

The special offer is valid till 31.01.2019, or while stocks last.

Only complete sets for sale, as indicated in this brochure and at market usual order quantities.

Errors and omissions are reserved