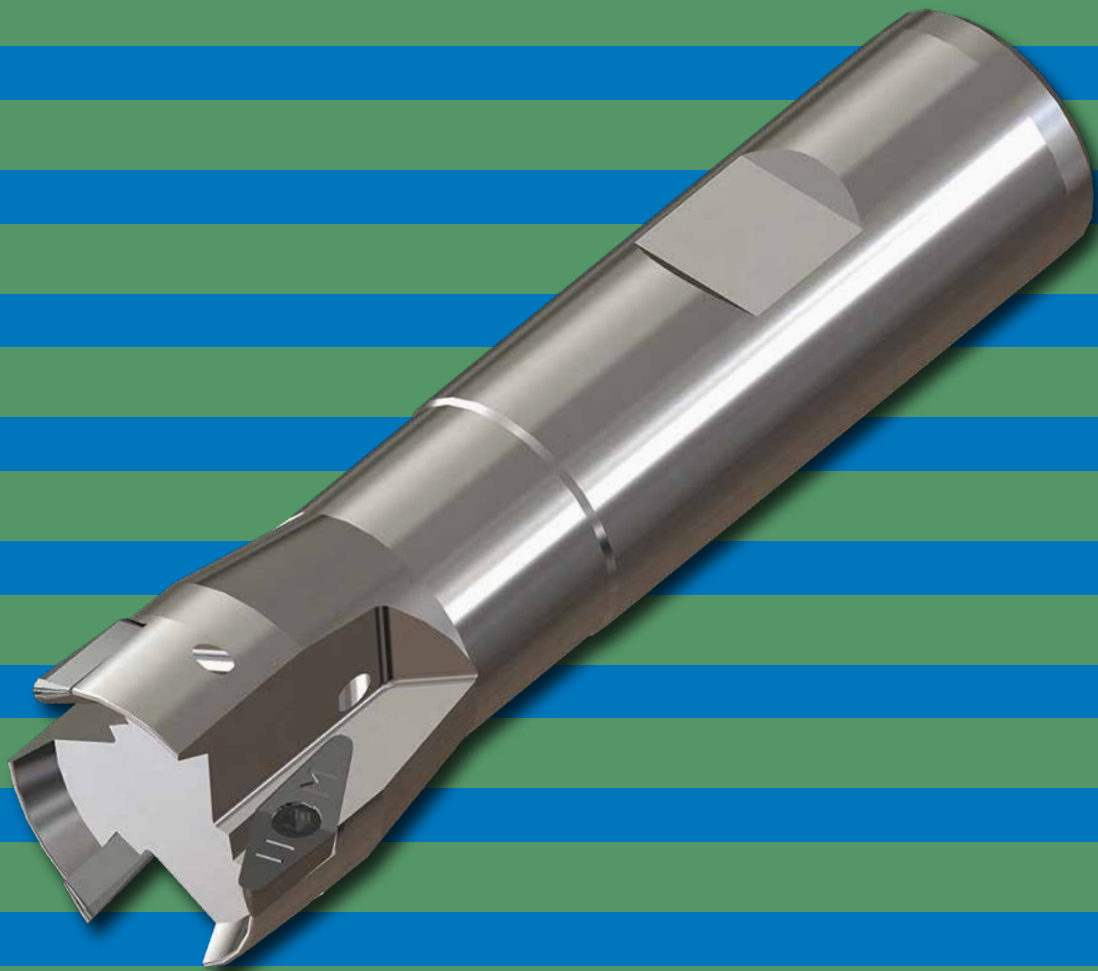




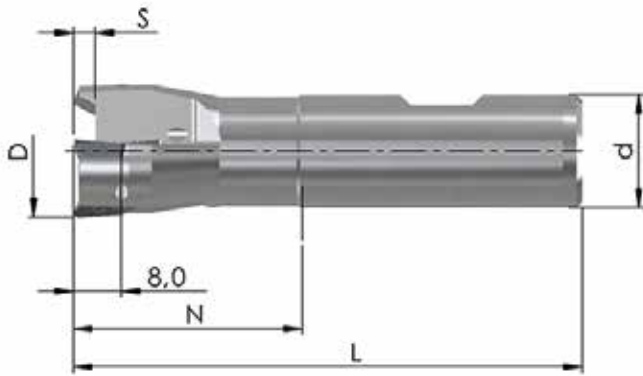
Jongen Werkzeugtechnik

Special Offer Autumn 2018

ALU-MILLING CUTTERS B28



## Milling Cutters for machining aluminium Type B28 (FP 428)



Set 2018-53	D	L	d	N	S	Z	List prices
90PP-16-22-428-2	16	70	16	21,5	3,7	2	152,00 €
90PP-25-40-428-3	25	90	20	40,0	3,7	3	183,00 €
<b>List price of the set</b>							<b>335,00 €</b>

**Special price for above indicated set: 169,00 €**

Set 2018-54	D	L	d	N	S	Z	List prices
90PP-14-24-428-2	14	70	12	24,7	3,7	2	152,00 €
90PP-20-30-428-3	20	80	20	30,0	3,7	3	183,00 €
<b>List price of the set</b>							<b>335,00 €</b>

**Special price for above indicated set: 169,00 €**

The special offer is valid till 31.01.2019, or while stocks last.  
Only complete sets for sale, as indicated in this brochure and at market usual order quantities.  
Errors and omissions are reserved